

AVION CAMPER COACH

Operation and Service Manual

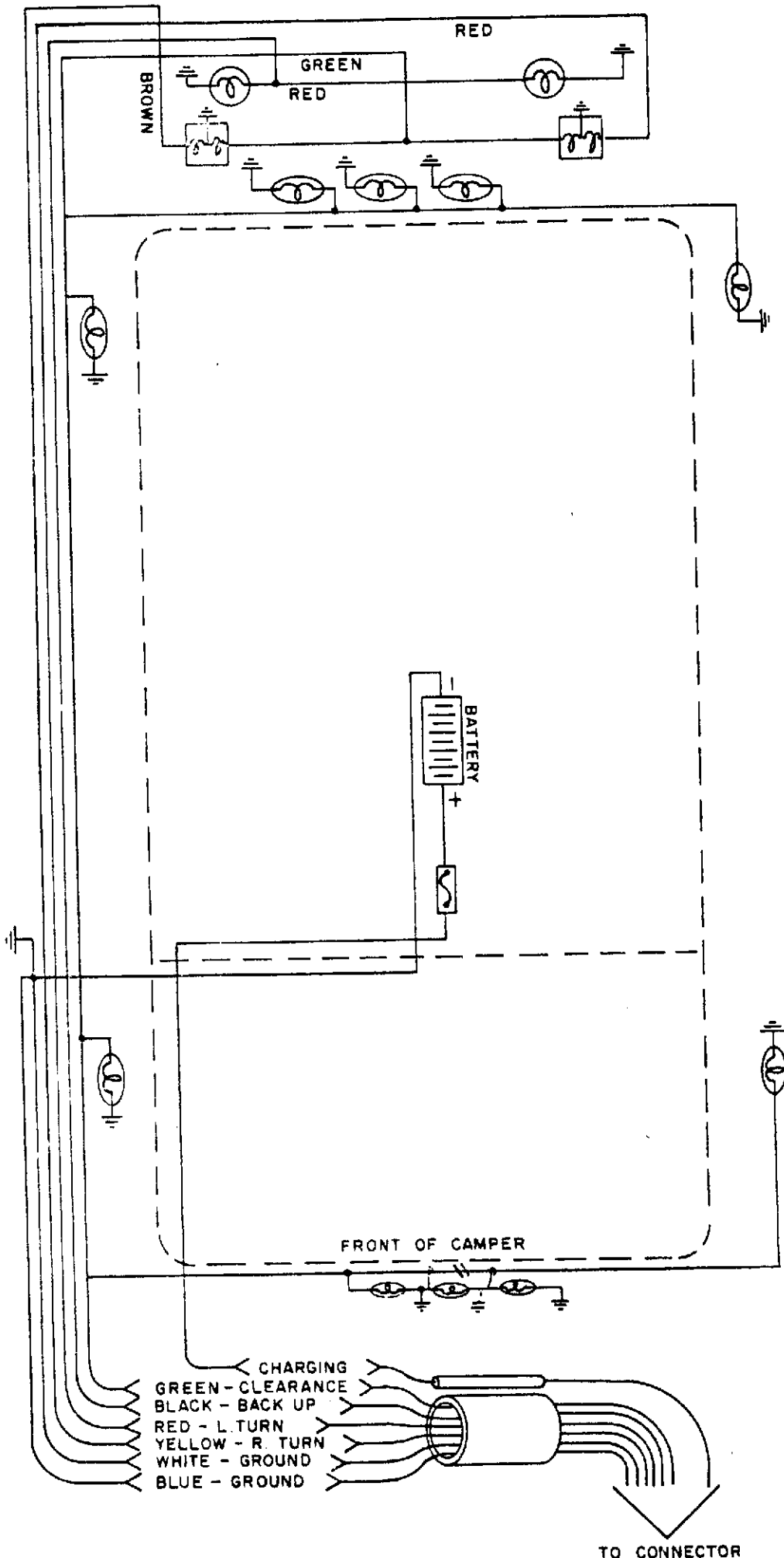
Keep this book with your Avion at all times

AVION COACH CORPORATION

1300 E. Empire Avenue, Benton Harbor, Michigan 49022
39661 Esplanade Avenue, San Jacinto, California 92383

12 VOLT EXTERIOR WIRING DIAGRAM

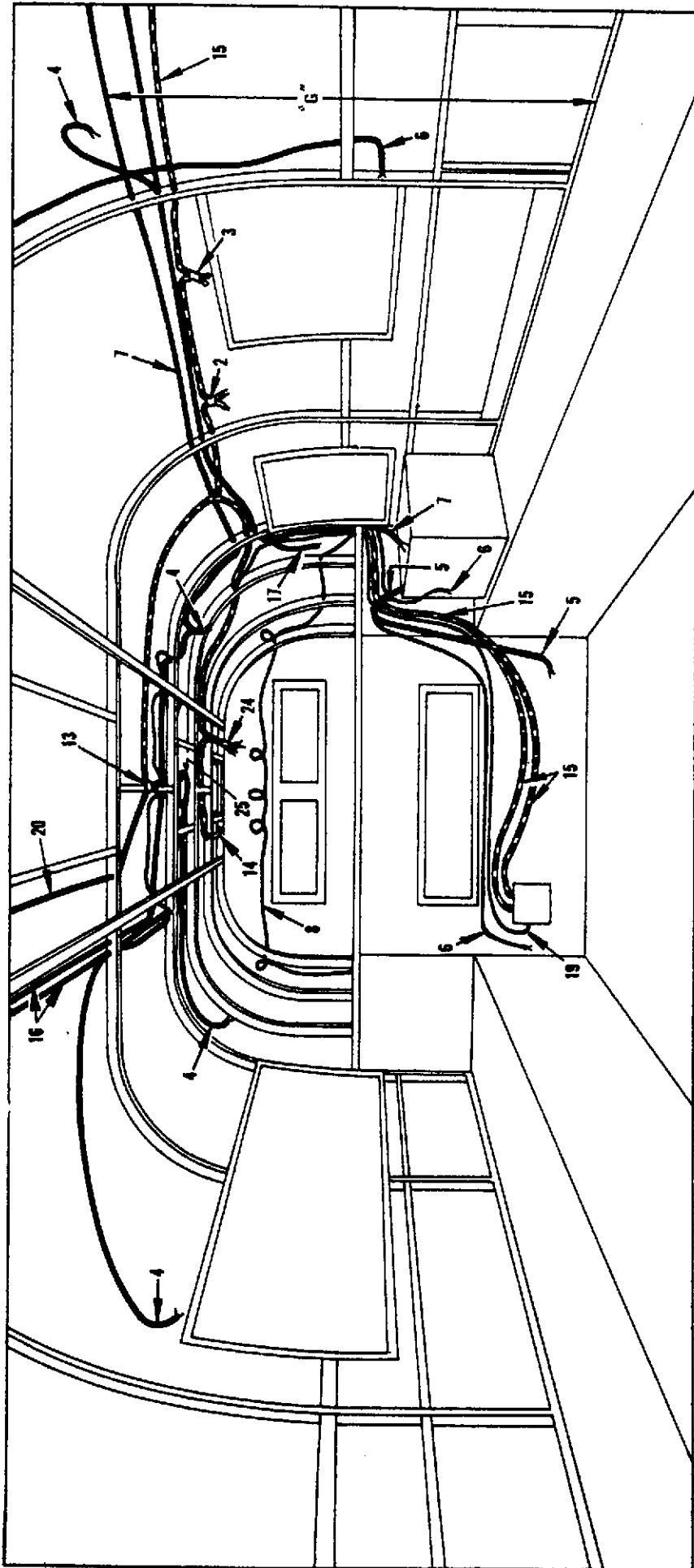
1968 AVION CAMPER & 1969



- CHARGING
- GREEN - CLEARANCE
- BLACK - BACK UP
- RED - L. TURN
- YELLOW - R. TURN
- WHITE - GROUND
- BLUE - GROUND

AVION COACH CORPORATION
 1300 East Empire Avenue • Benton Harbor, Michigan 49022

1968 AVION CAMPER WIRING ILLUSTRATION



Front View

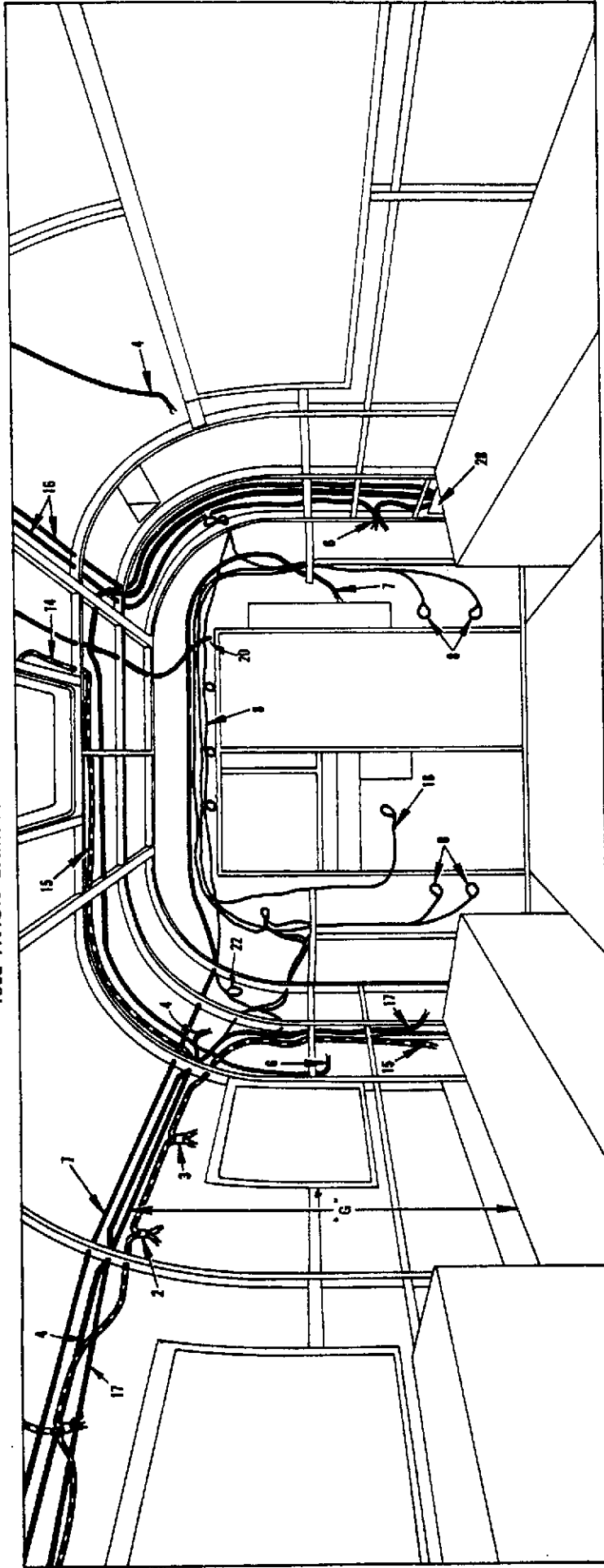
LETTERED DIMENSION CODE						
A	B	C	D	E	F	G
66"	22"	57"	14"	13"	10"	54"

12 V. Line

- | | | |
|----------------------|------------------------|-------------------------|
| 1. 12 V. Oven Light | 15. 12 V. Line | 22. Bathroom Light |
| 2. 12 V. Range Hood | 16. 110 V. Line | 23. Ground |
| 3. 12 V. Counter Lt. | 17. Furnace Thermostat | 24. 12 V. Bedroom Light |
| 4. Stereo Speaker | 18. Porch Light | 25. Air Conditioning |
| 5. Water Pump Switch | 19. 12 V. Charging | 26. Back Up Coil |
| 6. 110 V. Outlet | 20. Switch | 27. Center Side Marker |
| 7. T.V. Antenna Lead | 21. Bathroom Fan | 28. Entrance Box |

AVION COACH CORPORATION
188 East Empire Avenue • Benton Harbor, Michigan 48022

1968 AVION CAMPER WIRING ILLUSTRATION



Rear View

LETTERED DIMENSION CODE

A	B	C	D	E	F	G
66"	22"	57"	14"	13"	10"	54"

12 V. Line

- 22. Bathroom Light
- 23. Ground
- 24. 12 V. Bedroom Light
- 25. Air Conditioning
- 26. Back Up Coil
- 27. Center Side Marker
- 28. Entrance Box

- 15. 12 V. Line
- 16. 110 V. Line
- 17. Furnace Thermostat
- 18. Porch Light
- 19. 12 V. Charging Switch
- 20. Bathroom Fan

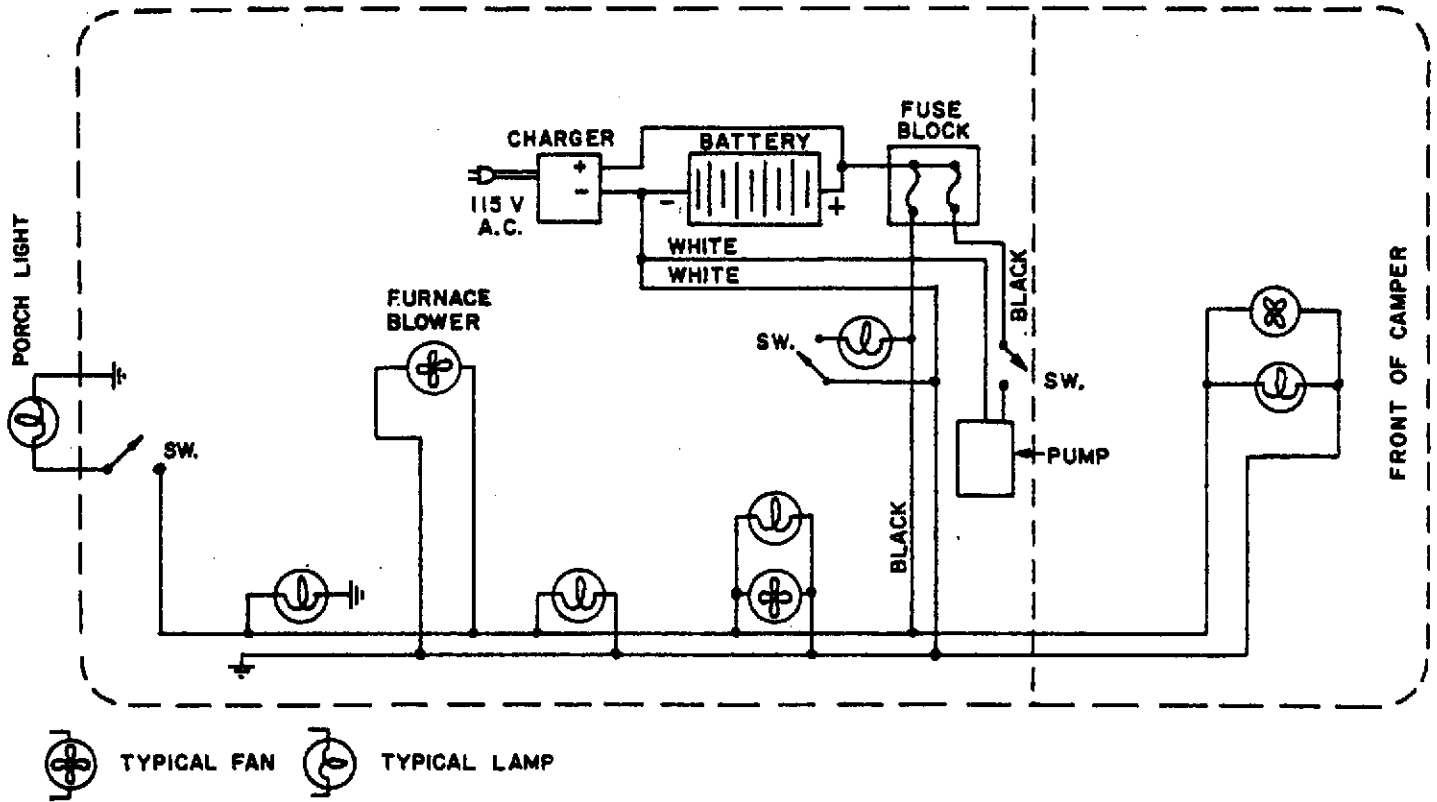
- 8. Exterior Lights
- 9. Radio Antenna
- 10. 12 V. Pump
- 11. 12 V. Stereo
- 12. Hi Intensity Light
- 13. Ceiling Light
- 14. Roof Fan

- 1. 12 V. Oven Light
- 2. 12 V. Range Hood
- 3. 12 V. Counter Lt.
- 4. Stereo Speaker
- 5. Water Pump Switch
- 6. 110 V. Outlet
- 7. T.V. Antenna Lead

AVION COACH CORPORATION
 1300 East Empire Avenue • Pontiac, Michigan 48032

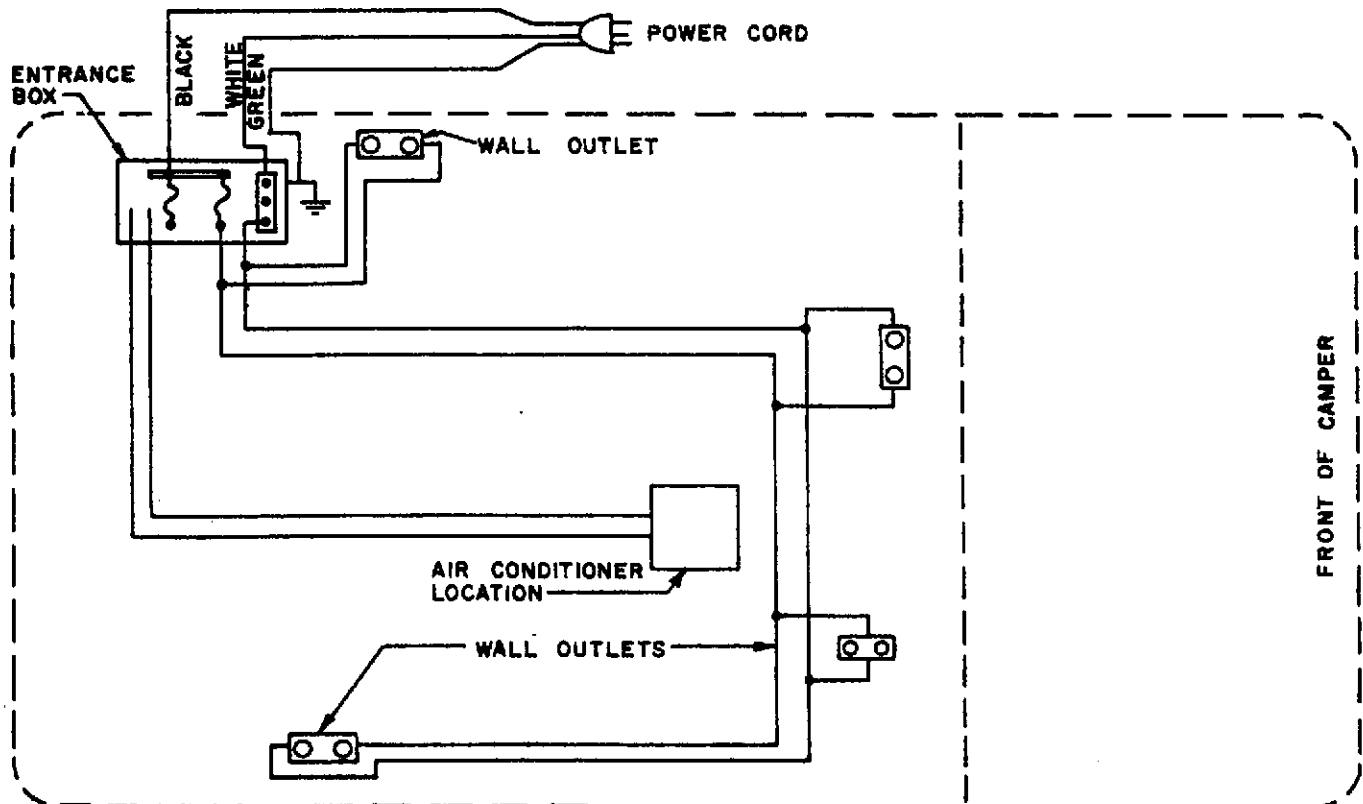
1968 AVION CAMPER

12 VOLT INTERIOR WIRING DIAGRAM



1968 AVION CAMPER

115 VOLT INTERIOR WIRING DIAGRAM

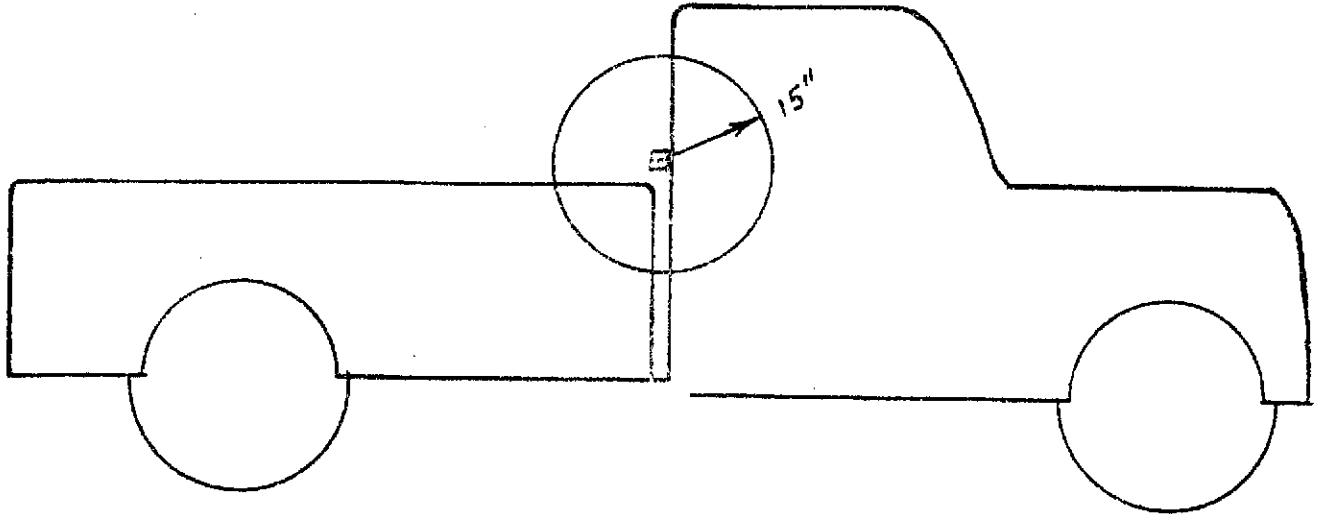


IMPORTANT

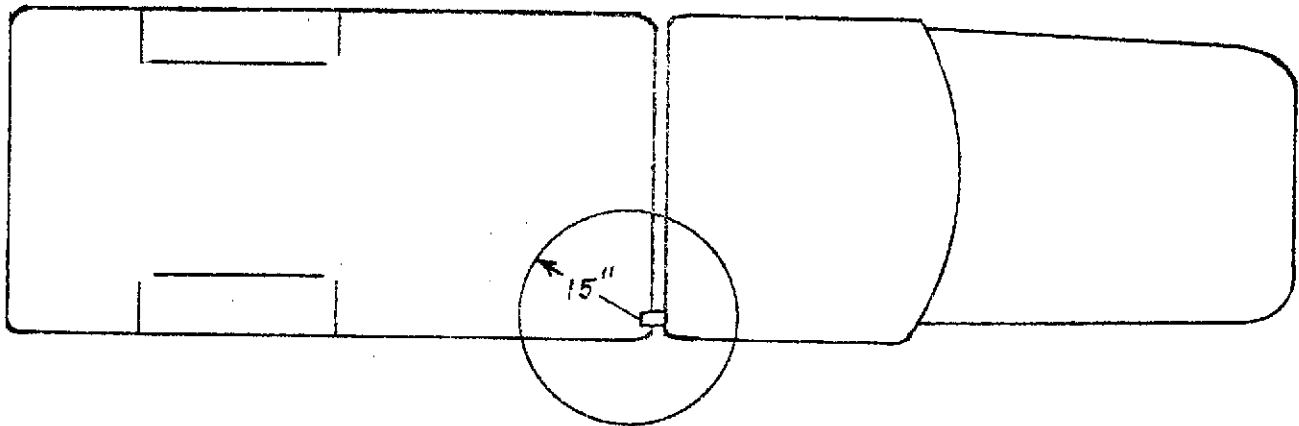
Form C-2

Instructions for wiring truck.

Below are drawings indicating the placement of the receptacle and the code to which the receptacle should be wired.



Fasten plug to truck somewhere within the area described by the circles.



Wire the terminals of the plug according to the diagram below:

